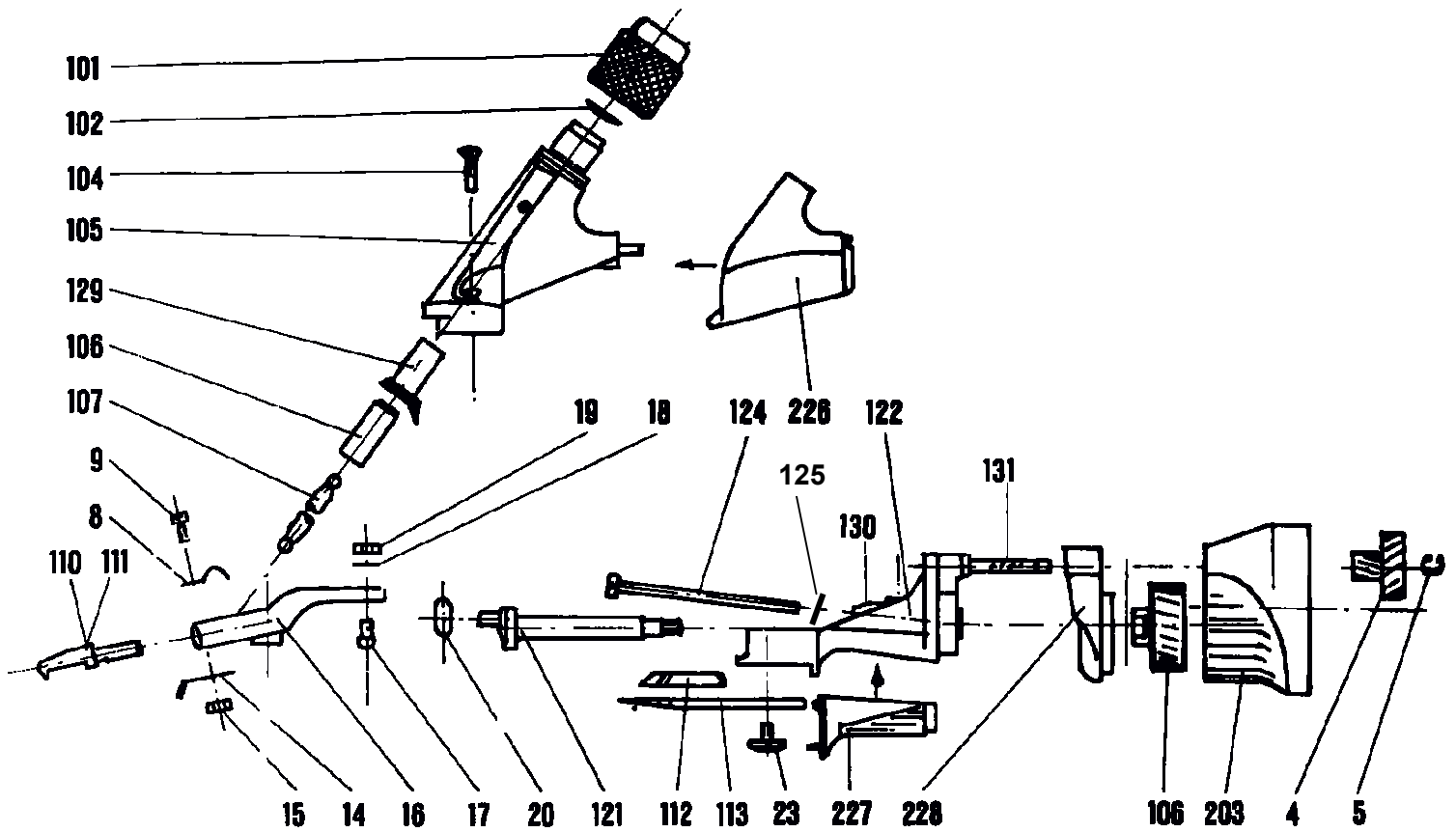


7 EXPLODED VIEW / SPARE PARTS

7.1 Shearing Head V



7.1.1 Special shearing blades

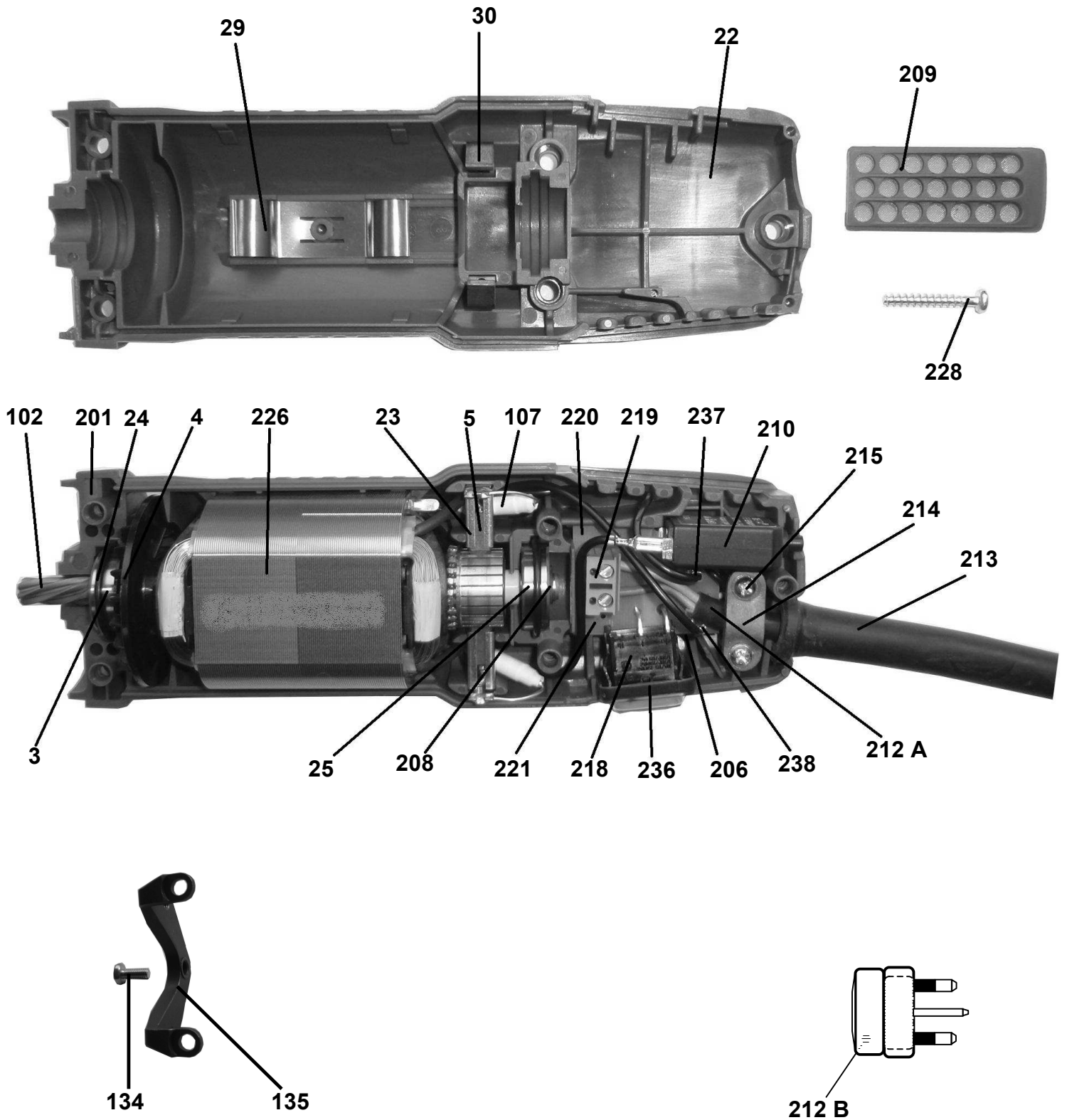


Pos	Description	Part-No.
	shearing head V complete	1901035200
101	pressure regulation nut	19-0331101
102	disc spring 15 Ø 5,2 Ø x 0,7	19-0331102
104	screws M 4 x 16 (2 pieces)	9004001644022
105	shearing head housing (upper part)	19-0331105
106	pressure socket	19-0331106
107	pressure shaft	19-0331107
8	holding spring	19-0330008
9	screw M 3 x 8	9003000801022
110	pressure piece - right side	19-0331110
111	pressure piece - left side	19-0330111
112	cutter	15 0330012
113	comb	15-0330013
14	spring bow	19-0330014
15	hexagonal nut M 3	9003000034022
16	pressure arm	19-0330016
17	bolt with ball head	19-0305017
18	disc spring	9004000009021
19	hexagonal nut M 4	9004000034022
20	eccentric roller	19-0305020
121	eccentric shaft with thread	19-0331121
122	shearing head housing (lower part)	19-0331122
23	screws for combs (2 pieces)	19-0305023
124	screws M 4 x 48 with washers (2 pieces)	9004004865022
125	spring washer 4,3 X 9 X 1	9043000072022
226	hand protection – top, petrol	19-0351226
227	hand protection – bottom, petrol	19-0351227
228	flange, petrol	19-0351228
129	oil bush	19-0331129
130	ball cup	1901030516
131	Axle pivot	1901030512
203	gearbox casing V TD, petrol	19-0351203
4	double gearwheel 29 / 11 teeth	19-0340004
5	safety clip 5.0 (ST 6)	9005000053022
106	gearwheel (32 teeth) with threaded bush (long)	19-0340206

Special shearing blades

	LC A 54 set of shearing blades	15-0208210
	LC A 55 set of shearing blades	15-0208410
	LC A 56 set of shearing blades	15-0208610

7.2 Motor (Typ 1300-2-TD)



Pos	Description	Part-No.
201	motor housing – lower part, petrol	19-0350820
102	rotor complete with part nos. 3,4,24,25	19-0332102
003	ball-bearing 608 2Z (head side)	19-0300003
004	fan with 20 blades	19-0300102
005	carbon brushes (2 pieces.)	19-0300005
206	radio / TV-condenser (ex illustration)	19-0350206
107	UKW-condenser	19-0350207
208	safety ring 7 x 8 for part no. 25	19-0300133
209	air filter, petrol	19-0350209
210	motor protection switch 1,2 A	19-0350310
212 A	lead (cable) with plug (EURO)	19-0350216
212 B	lead (cable) with plug (GB)	19-0300203
213	cable protection	59-0020213
214	cable clamp	19-0500033
215	screws 3,5 x 16 (2 pieces)	9035001600042
218	on-and-off switch	19-8001034
219	2-pol wire connector	19-0350219
220	circuit plate – without components	19-0350800
221	circuit plate, cplte. with part nos. 206, 210, 218, 219, 220, 236, 237, 238	19-0350802
023	carbon brush holders (2 pieces)	19-0300023
024	O-ring for bearings 21,5 x 2 (2 pieces)	19-0300024
025	ball bearing 627 2Z (bottom side)	19-0300025
226	stator	19-0350226
227	motor housing – upper part, petrol	19-0350840
228	screws 4 x 25 (5 pieces)	9040002500042
029	flat spring	19-0300029
030	spiral springs for carbon brushes (2 pieces)	19-0300030
134	screws M 4 x 10	9004001065022
135	fastening bracket	19-0332135
236	on-and-off switch cap	19-8001036
237	AMP plugs 2,8 x 0,8 (ex illustration)	19-0350237
238	round contact pin RTM 1,3 (ex illustration)	19-0350238